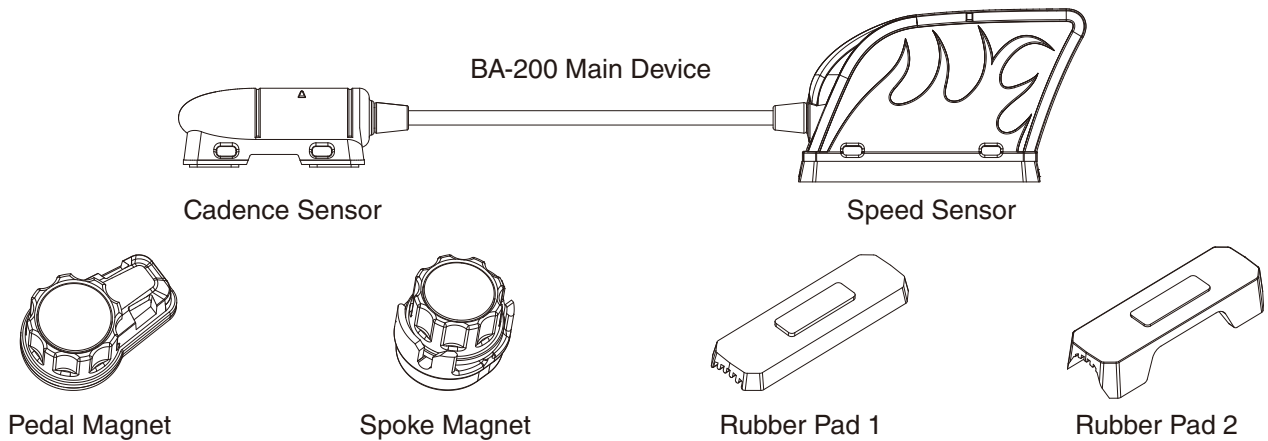


BA-200 Speed / Cadence Combo Sensor User Manual

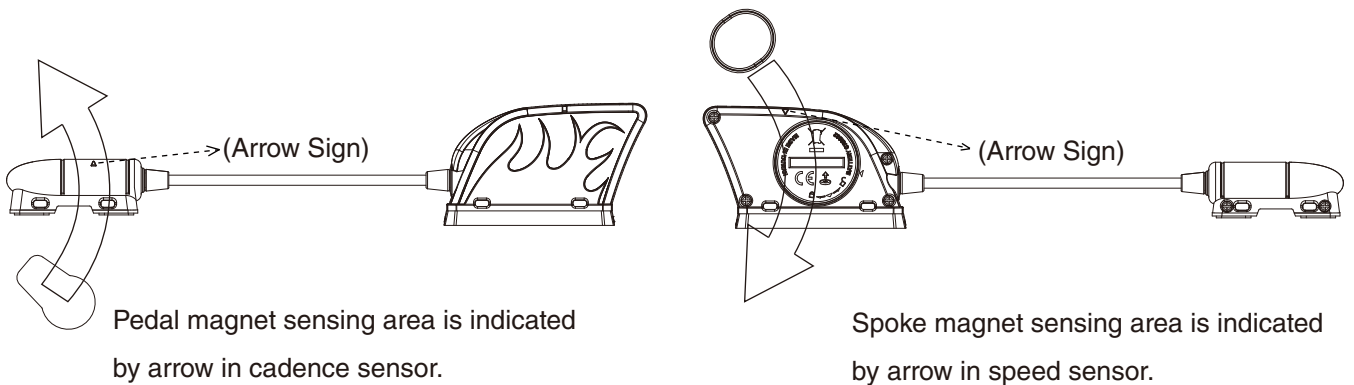
1 SUGGESTED COMPATIBLE DEVICE

1. Smart phone with BLE 4.0 support and compatible application software
2. BLE 4.0 compatible bike computer
3. Other BLE 4.0 support device with corresponding software

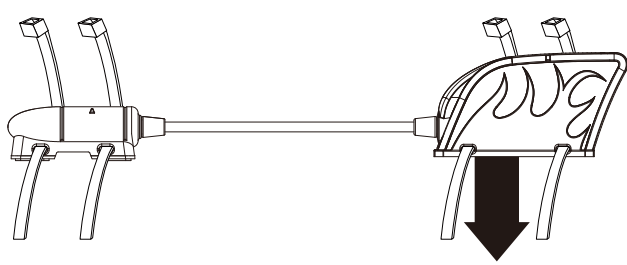
2 OVERVIEW



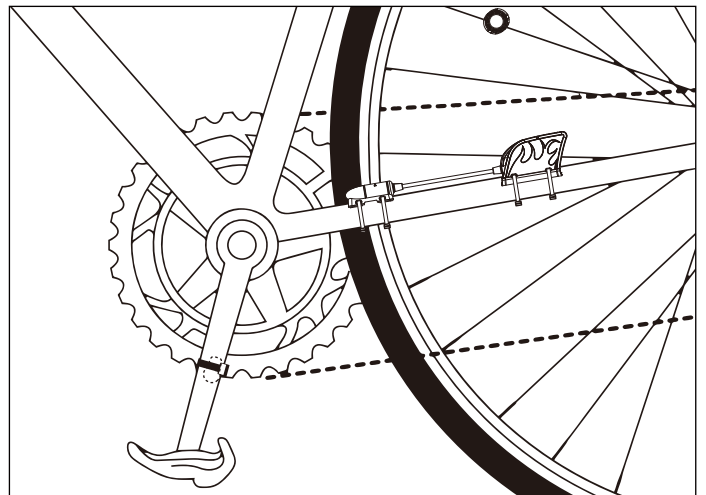
3 SENSING AREA EXPLANATION



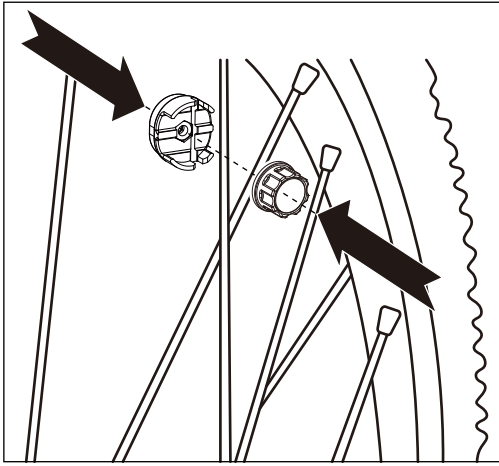
4 BA-200 INSTALLATION GUIDE



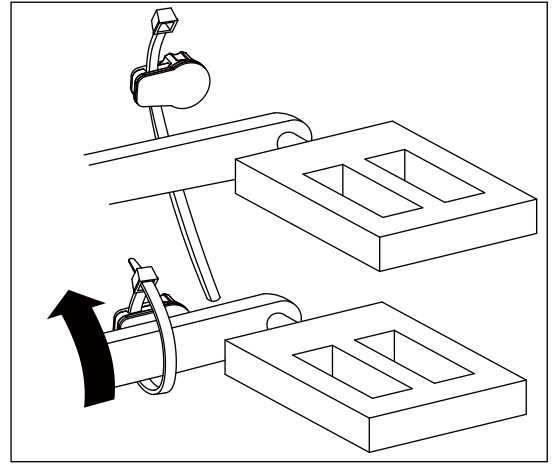
Please use bands to tie the main device on your bike and choose one proper rubber pad placed under speed sensor.



5 SPOKE AND PEDAL MAGNET INSTALLATION GUIDE

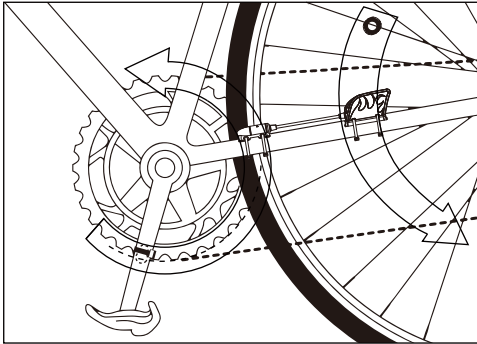


Please fasten the spoke magnet and its base on the spoke of your bike

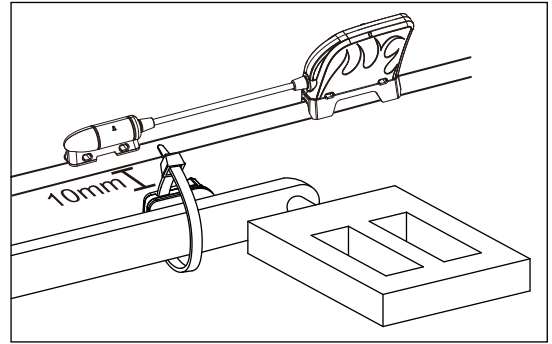


Please use bands to tie the pedal magnet, in the inner side of the crank in your bike.

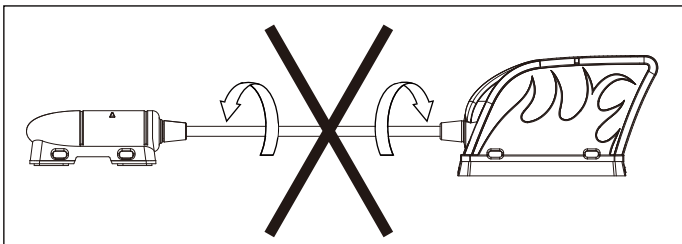
6 OTHERS



When pairing BA-200 with your BLE 4.0 compatible device, please trigger BA-200 several times first to wake up BA-200.

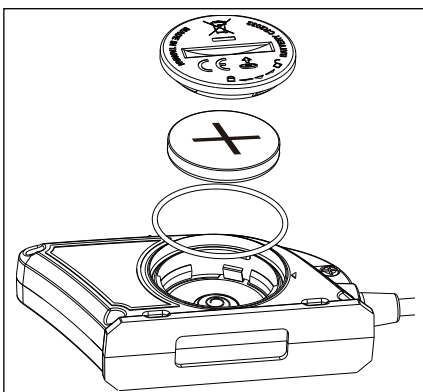


We suggest that the distance between spoke/pedal magnet and speed/cadence sensing area should be less than 10 mm.



Please do not rotate the wire between speed and cadence sensor. This wire is not rotatable.

7 BATTERY (CR2032) CHANGE GUIDE



Step 1: Choose a proper coin to rotate the battery cover in counterclockwise direction to open the battery cover.

Step 2: When taking out the battery, please note that the O-ring should be still in its original groove.

Step 3: When placing the new battery (CR2032) back, please make sure that the positive side of battery should be upward.

Step 4: Fasten the battery cover back in clockwise direction and you can feel a "click" when it is tight.