

GLOBALSAT GPS Engine Board

Hardware Data Sheet

Product No : MT-5662G

Version 1.0



GlobalSat WorldCom Corporation

16F., No. 186, Jian-Yi Road, Chung-Ho City, Taipei
Hsien 235, Taiwan

Tel: 886-2-8226-3799 Fax: 886-2-8226-3899

E-mail : service@globalsat.com.tw

Website: www.globalsat.com.tw

Issue Date	APPR	CHECK	PREPARE
2013/03/28	Ray		Mason

Product Description

Product Description

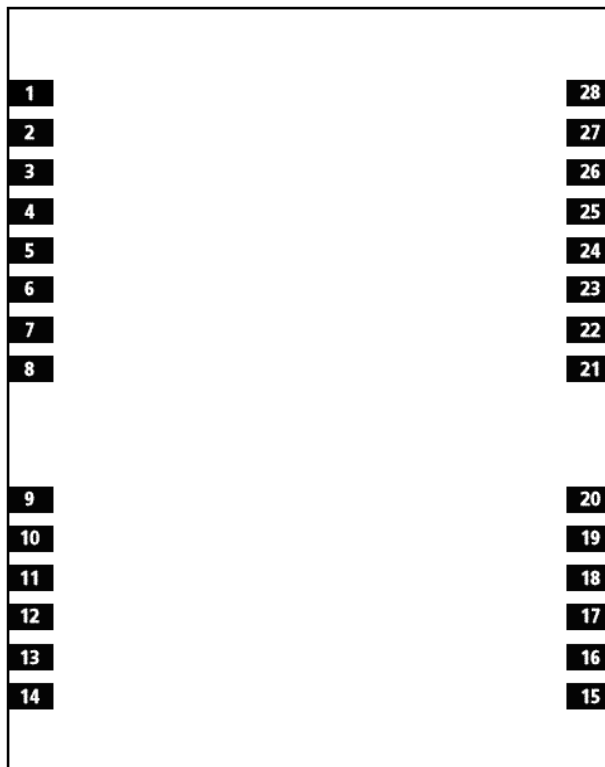
MT-5662G is a compact, high performance, and low power consumption GPS+GLONASS engine board. This GPS module is powered by MediaTek, it can provide you with superior sensitivity and performance even in urban canyon and dense foliage environment. The miniature size makes the module easy and the best choice to integrate into portable applications such as DSC, cellular phone, PMP, and gaming devices. MT-5662G is suitable for the following applications:

- Automotive navigation
- Personal positioning
- Fleet management
- Mobile phone navigation
- Marine navigation

Product Features

- MediaTek high sensitivity solution
- Support 33 tracking / 99 acquisition-channel GPS/GLONASS receiver
- Very high sensitivity (Tracking Sensitivity: -165dBm)
- Extremely fast TTFF (Time To First Fix) at low signal level
- Support Serial port NMEA output.
- Built-in LNA
- Compact size (22.4mm x 17.0mm x 3.0mm) suitable for space-sensitive application
- One size component, easy to mount on another PCB board
- Support NMEA 0183 V4.0 (GGA, GSA, GSV, RMC, VTG, GLL, ZDA)
- Supports WASS/EGNOS/MSAS/GAGAN (depends on firmware setting)

Product Pin Description



PIN Number(s)	Name	Type	Description	Note
3	TXD	O	This is the main transmits channel for outputting navigation and measurement data to user's navigation software or user written software. Baud rate based on firmware setting, Output TTL level 2.8V.	
4	RXD	I	This is the main receive channel for receiving software commands to the engine board from MTK software or from user written software. Baud rate based on firmware setting.	
5,6	VCC	P	This is the main power supply to the engine board. (3.3Vdc to 6Vdc)	
7,13,14,15,17	GND	P	Ground	
8	VDD3V3OUT	O	Output voltage referred VCC	
1,2,9,12,21,22,23,24,25,27	NC		MT-5662G reserved pin, just NC.	
10	RESET	I	This pin is low active for system reset, default pull-up. This module has internal power on reset circuit.	

11	VBAT	P	This is the battery backup power input for the SRAM and RTC when main power is off. Without the external backup battery, MT-5662G will always execute a cold start after turning on. To achieve the faster start-up offered by a hot or warm start, a battery backup must be connected. The battery voltage should be between 2.0V and 4.3V.
16	RF_IN	I	This pin receives signal of GPS analog via external antenna. It has to be a controlled impedance trace at 50ohm. Do not have RF traces closed the other signal path and routing it on the top layer. Keep the RF traces as short as possible.
18	VCC_RF	O	VCC_RF can supply active antenna bias voltage. This pin will supply active antenna power. If do not use it, just NC.
19	V_ANT	I	Antenna bias voltage
20	V-ANT_DET	I	This pin is active antenna detect signal input
26	WAKE_UP	O	MT-5662G hardware standby function, that is edge-trigger type, falling to enter standby mode, and raising to normal mode
28	TIMEPULSE	O	This pin provides one pulse-per-second output from the board, which is synchronized to GPS time. If do not use it, Just NC.

Electrical Specification

Absolute Maximums Ratings

Parameter	Min.	Typ.	Max.	Conditions	Unit
Power					
Power supply voltage(VCC)	3.3	3.3	6.0		V
Backup battery supply	2.0		4.3		V
VCC_RF output voltage		VCC			
Main power supply Current		25		3.3V	mA
Backup battery supply Current	4.5	5	5.5	3.3V	uA
RF Input					
Input Impedance		50			Ω
Operating Frequency		1.575			GHz

DC Electrical characteristics

Parameter	Symbol	Min.	Typ.	Max.	Conditions	Units
I/O Low Level Output Voltage	V_{OL}	$0.75 \cdot VCC$				V
I/O High Level Output Voltage	V_{OH}			$0.25 \cdot VCC$		V
I/O Low Level Input Voltage	V_{IL}	-0.3		$0.3 \cdot VCC$		V
I/O High Level Input Voltage	V_{IH}	$0.7 \cdot VCC$		3.6		V
TXD Output Voltage	V_{TO}	2.52	2.8	3.08		V
RXD Input Voltage	V_{RI}			3.6		V
High Level Output Current	I_{OH}		2			mA
Low Level Output Current	I_{OL}		2			mA

Environmental Characteristics

Parameter	Min	Typ	Max	Unit
Humidity Range	5		95	% non-condensing
Operation Temperature	-40	25	85	$^{\circ}C$
Storage Temperature	-40		85	$^{\circ}C$

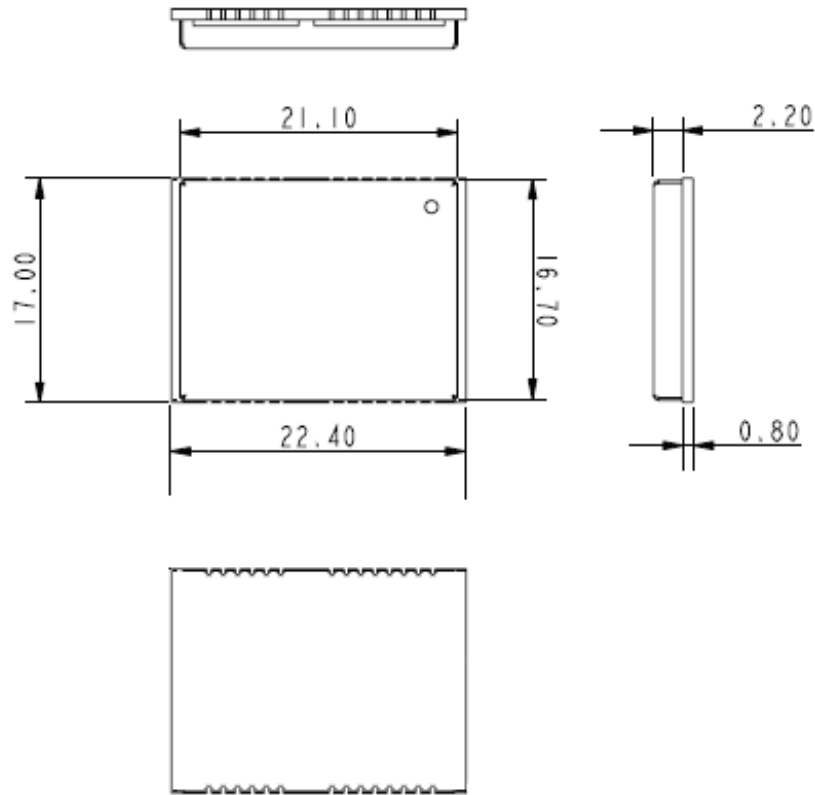
Receiver Performance

Sensitivity ¹	Chipset Tracking :	-165dBm
	Chipset Autonomous acquisition :	-147 dBm
Time-To-First-Fix ²	Cold Start – Autonomous	< 35s
	Warm Start – Autonomous	< 35s
	Hot Start – Autonomous	< 1s
Horizontal Position Accuracy ³	Autonomous	< 3m (2D RMS)
	SBAS	<2.0m
Velocity Accuracy ⁴	Speed	< 0.01 m/s
	Heading	< 0.01 degrees
Reacquisition	0.1 second, average	
NMEA Update Rate	Output data format based on firmware setting	
Maximum Altitude	< 18,000 meter	
Maximum Velocity	< 515 meter/ second	
Maximum Acceleration	< 4G	

<Note>

1. -142 dBm \approx 28dB-Hz with 4 dB noise figure
2. 50% -130dBm Fu 0.5ppm Tu \pm 2s Pu 30Km
3. 50% 24hr static, -130dBm
4. 50% @ 30m/s

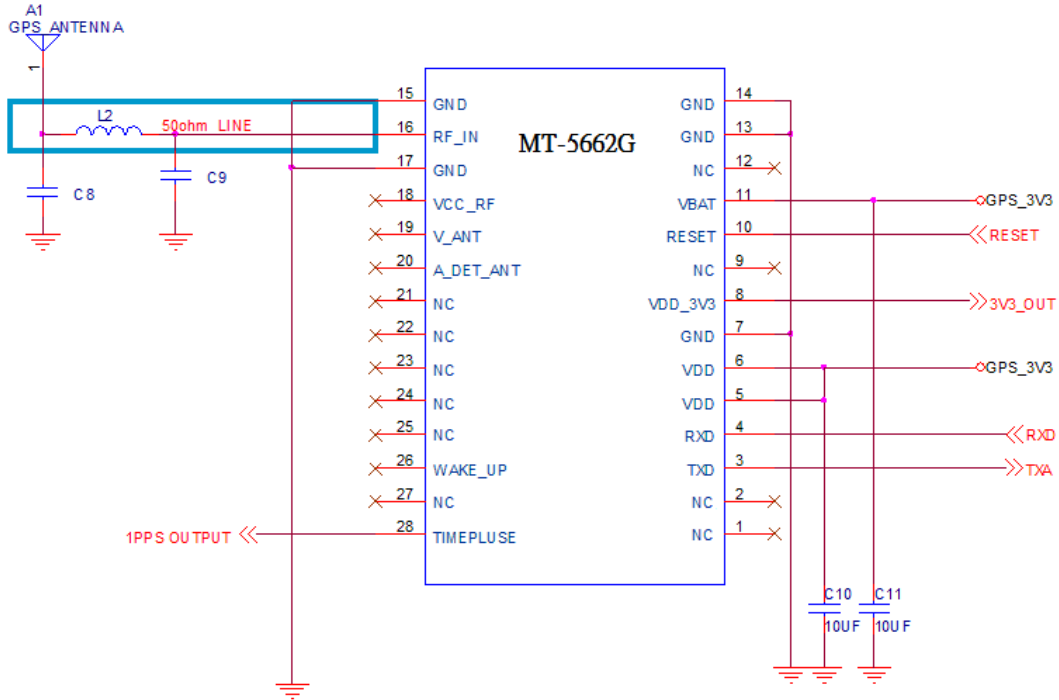
Package Dimensions



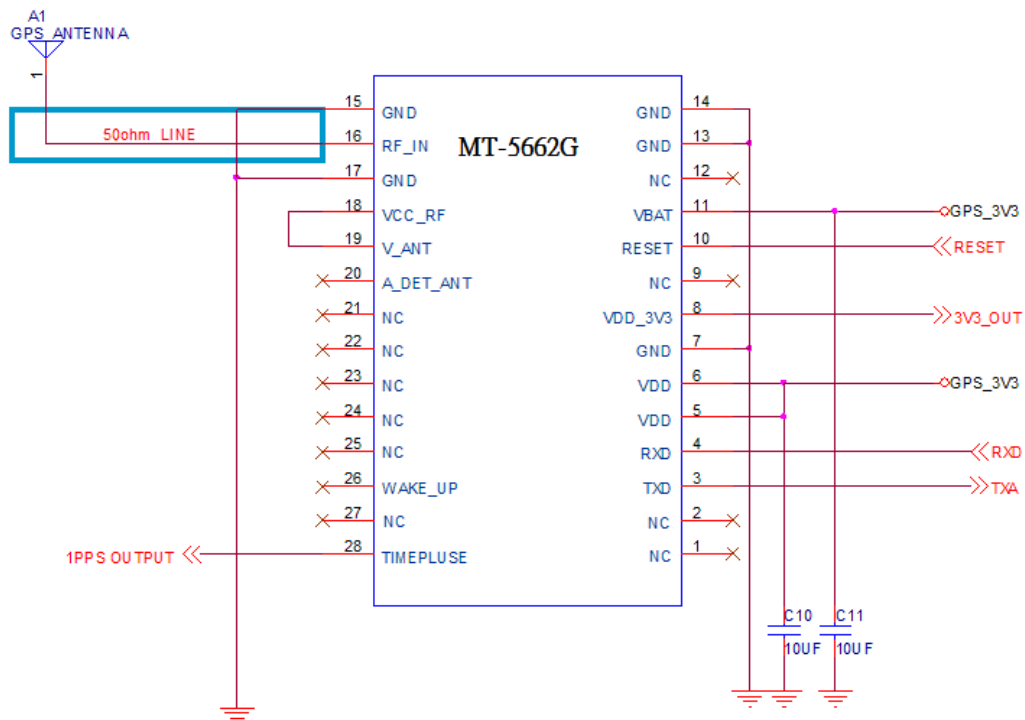
Type	24-pin stamp holes
Dimensions	22.4 mm * 17 mm * 3.0 mm ±0.2mm

Application

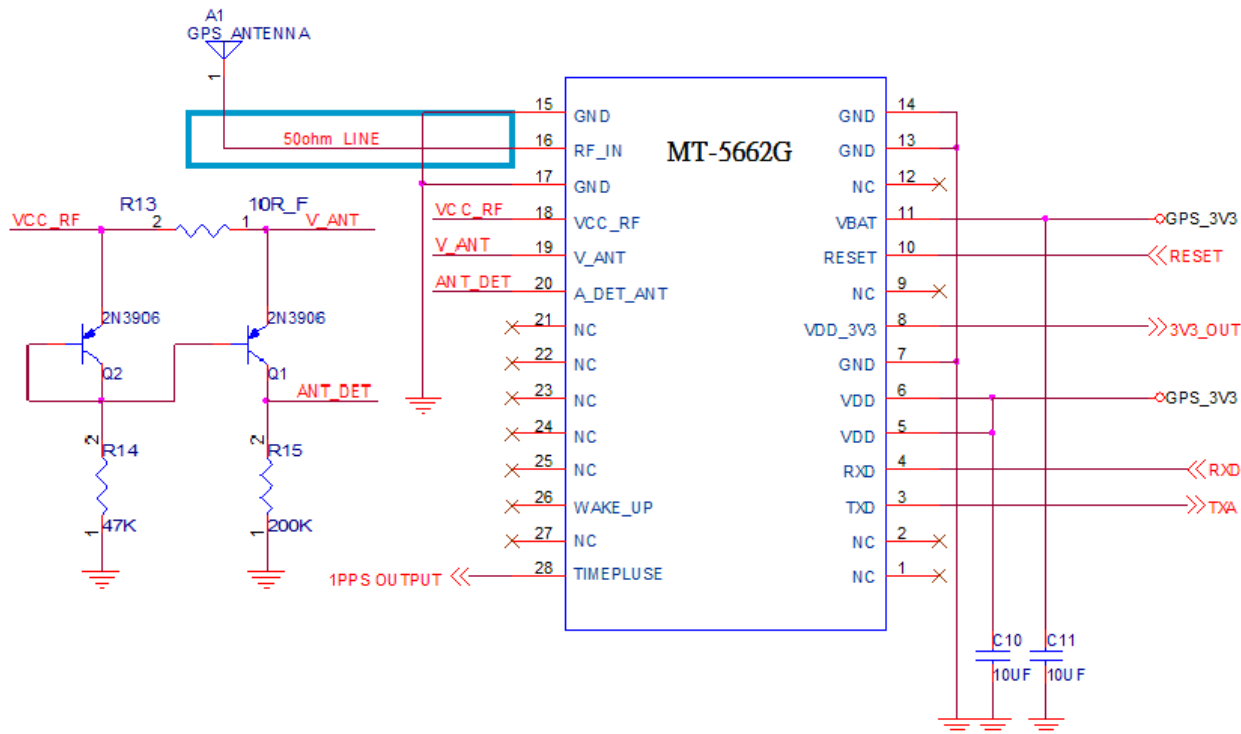
Application circuit with passive antenna



Application circuit with active antenna



Application circuit with active antenna detect function



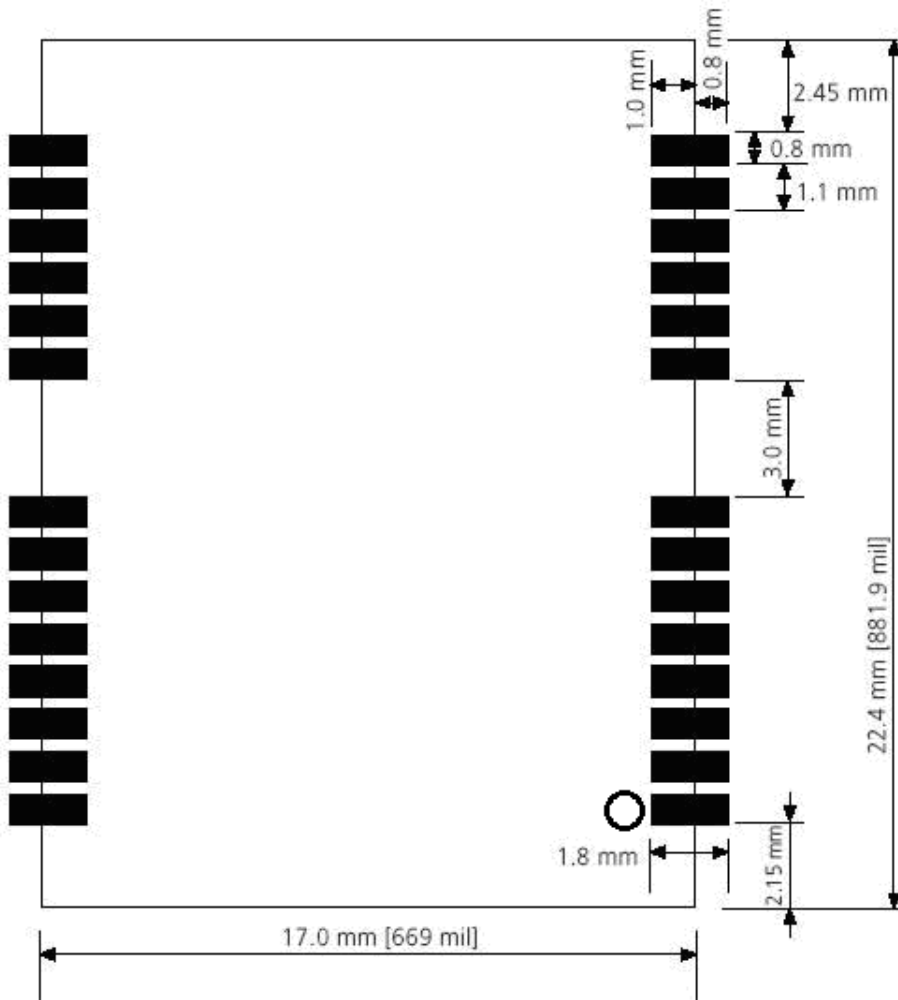
GPS Active Antenna Specifications (Recommendation)

Frequency:	1575.42 + 2MHz 1602MHz~1615MHz	Amplifier Gain:	18~22dB Typical
Axial Ratio:	3 dB Typical	Output VSWR:	2.0 Max.
Output Impedance:	50Ω	Noise Figure:	2.0 dB Max
Polarization:	RHCP	Antenna Input Voltage:	2.85V (Typ.)

NOTE:

1. RESET: Low Active, when MT-5662G is accepted this single, than MT-5662G will execute system reset.
2. VBAT: This is the battery backup power input for the SRAM and RTC when main power is removed. VBAT is 2V ~ 4.3V.
3. VCC_RF: MT-5662G RF is has 3.3V external POWER to active ANTENNA use.

Recommended Layout PAD



Unit: mm
Tolerance: 0.1mm

PCB Layout Recommend

Do not routing the other signal or power trace under the engine board.

RF:

This pin receives signal of GPS analog via external active antenna .It has to be a controlled impedance trace at 50ohm.

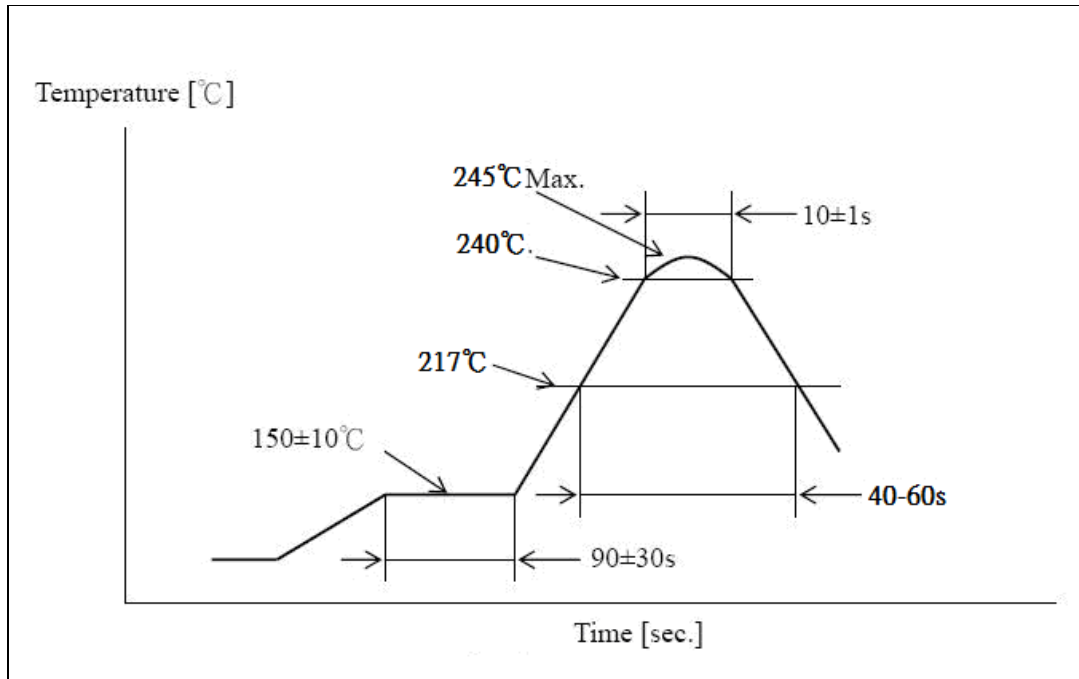
Do not place the RF traces close to the other signal path and not routing it on the top layer.

Keep the RF traces as short as possible.

Antenna:

Keep the active antenna on the top of your system and confirm the antenna radiation pattern · axial ratio · power gain · noise figure · VSWR are correct when you Setup the antenna in your case.

Recommended Reflow Profile:



Pre heating temperature: 150±10[°C] Pre heating time: 90±30[sec.]

Heating temperature: 240±5[°C] Heating time: 10±1[sec.]

Peak temperature must not exceed 245°C and the duration of over 217°C should be 40 - 60 Seconds.

Appendix

Label Artwork

A: Brand: GLOBALSAT
B: MODULE Model: MT-5662G

B-1:
G = GLONASS
B = COMPASS
C = Single Type

C: CHIP Type: MTK

D: Bar code

E: Serial Number:



- Product NO (HEX)
- Place of origin, T= Taiwan, C=China
- Product Month, 123456789XYZ, X->Oct, Y->Nov, Z->Dec
- Product Year

Reversion history

Reversion	Date	Name	Status / Comments
V1.0	20130328	Mason	Initial Version